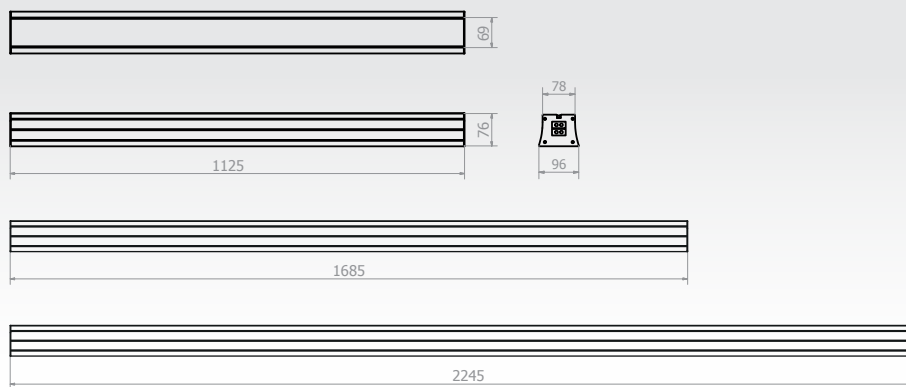


Linear continuo 1125 / 1685 / 2245



**LINEAR CONTINUOUS MP  
MAIN SPECIFICATIONS**

<b>Applications</b>	Industrial and retail lighting
<b>Optics</b>	<b>00</b> : Diffused symmetric optics
<b>Colour temperature</b>	<b>1</b> : Cold White 5,500K; <b>2</b> : Warm White 3,000K; <b>8</b> : Neutral White 4,000K
<b>CRI and colour difference (SDCM)</b>	Min. > 80 Color difference among several devices: Max. 5 step MacAdam
<b>Photobiological compliance</b>	Exempt Group
<b>Insulation class</b>	Class I
<b>Protection rating</b>	IP40
<b>Cable harness</b>	Removable, no tools needed
<b>Dimensions</b>	96x76x1125 / 1685 / 2245 mm
<b>Weight</b>	4 / 6 / 8 Kg

**ELECTRICAL SPECIFICATIONS**

<b>Rated voltage</b>	220-240 V 50/60 Hz
<b>Power factor</b>	> 0.9 (full load)
<b>Control technology</b>	Optional power supplies with DALI interface
<b>Connection</b>	Neoprene cable 0.35 m
<b>LED life expectancy (T<sub>amb</sub> -10°C to 35°C)</b>	L70 B20 > 50,000 hr

**MATERIALS**

<b>Mounting</b>	Galvanized steel brackets or suspension kit
<b>Heatsink</b>	Extruded anodized aluminum
<b>Frame</b>	<b>05</b> : Extruded anodized aluminum; <b>10</b> : Extruded white painted aluminum
<b>Screen</b>	Flat PMMA thickness 2 mm with double UV treatment

**INPUT POWER AND FLUX\* LINEAR S  
(T<sub>amb</sub> =25°C, T<sub>i</sub> =85°C, T<sub>c</sub> =4000K)**

<b>Linear 1125 01</b>	14 W	2,358 lm
<b>Linear 1125 02</b>	23 W	3,342 lm
<b>Linear 1125 03</b>	33 W	4,183 lm
<b>Linear 1125 04</b>	37 W	4,559 lm
<b>Linear 1125 05</b>	52 W	6,174 lm

**INPUT POWER AND FLUX\* LINEAR M  
(T<sub>amb</sub> =25°C, T<sub>i</sub> =85°C, T<sub>c</sub> =4000K)**

<b>Linear 1685 01</b>	21 W	3,537 lm
<b>Linear 1685 02</b>	38 W	5,157 lm
<b>Linear 1685 03</b>	49 W	6,399 lm
<b>Linear 1685 04</b>	55 W	6,963 lm
<b>Linear 1685 05</b>	78 W	9,261 lm

**INPUT POWER AND FLUX\* LINEAR L  
(T<sub>amb</sub> =25°C, T<sub>i</sub> =85°C, T<sub>c</sub> =4000K)**

<b>Linear 2245 01</b>	28 W	4,716 lm
<b>Linear 2245 02</b>	50 W	6,868 lm
<b>Linear 2245 03</b>	66 W	8,332 lm
<b>Linear 2245 04</b>	74 W	9,284 lm
<b>Linear 2245 05</b>	104 W	12,348 lm

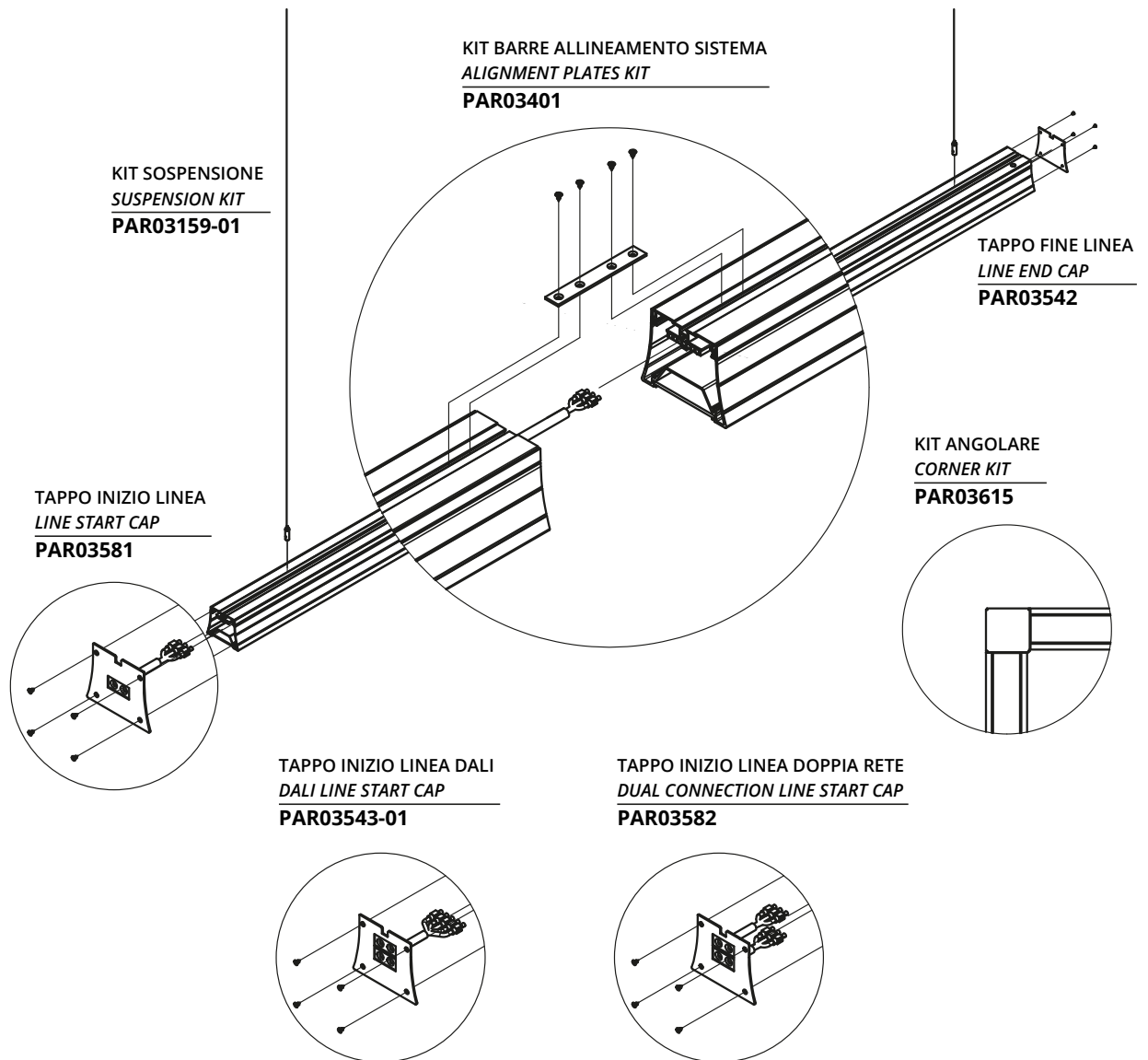
\* Values shown represent effective output flux. These values may differ from the LEDs nominal flux.

**CODING**

product code	LED colour	length	optic type	finishing options	model code
<b>LNC</b>	<b>1</b>	<b>S</b>	<b>00</b>	<b>05</b>	<b>0</b> (Na.) <b>1</b>
	<b>2</b>	<b>M</b>		<b>10</b>	<b>D</b> (Dali) <b>2</b>
	<b>8</b>	<b>L</b>			<b>E</b> (Emerg.) <b>3</b>
					<b>C</b> (D+E) <b>4</b>
					<b>A</b> (+2pol.) <b>5</b>
					<b>B</b> (+4pol.)
					<b>G</b> (Dali+2)

Product specifications may vary at any time and will be confirmed at time of order. Values shown are calculated with +/- 5% tolerance.

Accessories for Linear continuous MP



**ACCESSORIES CODING**

<b>Ceiling mounting Kit</b>	PAR03160
<b>Suspension Kit</b>	PAR03159
<b>Alignment plates Kit</b>	PAR03401
<b>Corner Kit</b>	PAR03615
<b>Line start Cap</b>	PAR03581
<b>DALI Line start Cap</b>	PAR03543
<b>Dual connection Line start Cap</b>	PAR03582
<b>Line end Cap</b>	PAR03542

Product specifications may vary at any time and will be confirmed at time of order.  
Values shown are calculated with +/- 5% tolerance.