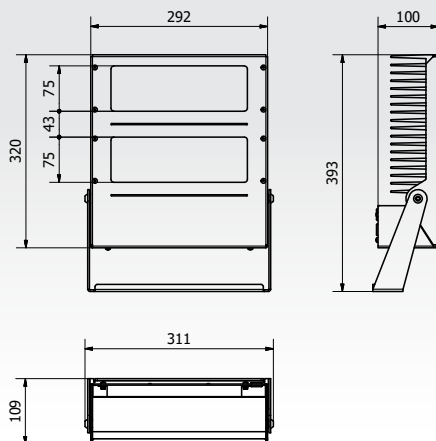


Buxus 150/200



**BUXUS 150/200  
MAIN SPECIFICATIONS**

<b>Applications</b>	Industrial and outdoor lighting
<b>Optics</b>	<b>00:</b> Diffused symmetric optics; <b>13:</b> Symmetric optics with 13° aperture; <b>25:</b> Symmetric optics with 25° aperture; <b>40:</b> Symmetric optics with 40° aperture; <b>AS:</b> Asymmetric optics
<b>Colour temperature</b>	<b>1:</b> Cold White 5,500K; <b>2:</b> Warm White 3,000K; <b>8:</b> Neutral White 4,000K
<b>CRI and colour difference (SDCM)</b>	Medium 75; Min. > 80 upon request Color difference among several devices: Max. 5 steps MacAdam
<b>Photobiological compliance</b>	Exempt Group
<b>Insulation class</b>	Class I
<b>Protection rating</b>	IP65, IK08
<b>Cable harness</b>	IP65 quick splice connector
<b>Dimensions</b>	320x220x93.5 mm
<b>Weight</b>	10.5 Kg

**ELECTRICAL SPECIFICATIONS**

<b>Rated voltage</b>	220-240 V 50/60 Hz
<b>LED current</b>	700 mA
<b>Power factor</b>	> 0.9 (full load)
<b>Control technology</b>	Power supplies with 1-10V dimming line or DALI upon request
<b>Connection</b>	Neoprene cable 0.3 m

700 mA

<b>LED life expectancy (T<sub>a</sub> -10°C to 40°C)</b>	L90 B10 > 90,000 hr
--	---------------------

**MATERIALS**

<b>Mounting</b>	Black varnished steel brackets
<b>Heatsink</b>	Black anodized aluminum
<b>Frame</b>	Black varnished steel
<b>Optic</b>	Optic PMMA high temperature resistant and UV resistant for 13/25/40°/AS version
<b>Screen</b>	Flat glass

**INPUT POWER AND FLUX NO LENS  
(T<sub>amb</sub>=25°C, T<sub>f</sub>=85°C, T<sub>c</sub>=4000K)**

<b>4 Buxus 150</b>	210 W	21,580 lm
<b>5 Buxus 200</b>	300 W	31,160 lm

**INPUT POWER AND FLUX 13/25/40  
(T<sub>amb</sub>=25°C, T<sub>f</sub>=85°C, T<sub>c</sub>=4000K)**

<b>4 Buxus 150</b>	210 W	25,060 lm
<b>5 Buxus 200</b>	300 W	35,944 lm

**INPUT POWER AND FLUX AS  
(T<sub>amb</sub>=25°C, T<sub>f</sub>=85°C, T<sub>c</sub>=4000K)**

<b>4 Buxus 150</b>	210 W	23,180 lm
<b>5 Buxus 200</b>	300 W	33,740 lm

**CODING**

product code	LED colour	LED type	optic type	finishing options	model code
<b>BUH</b>	<b>1</b>	<b>N</b>	<b>00</b>	<b>11 0</b> (N.a.)	<b>4</b>
	<b>2</b>	<b>C</b>	<b>13</b>		<b>5</b>
	<b>8</b>		<b>25</b>		
			<b>40</b>		
			<b>AS</b>		

Product specifications may vary at any time and will be confirmed at time of order.  
Values shown are calculated with +/- 5% tolerance.