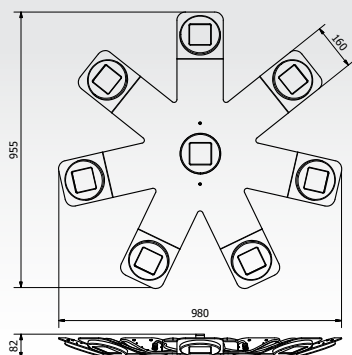
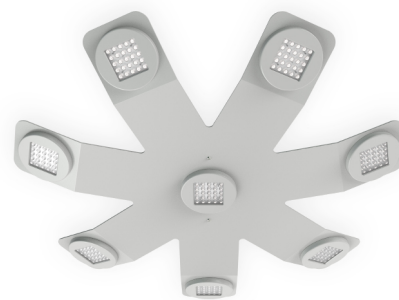


Atlas 200/225



Atlas 200/225



IP65

**ATLAS 200/225
MAIN SPECIFICATIONS**

Applications	Industrial and retail lighting
Optics	40: Symmetric optics with 40° aperture; 60: Wide optics
Colour temperature	1: Cold White 5.500K; 2: Warm White 3.000K; 8: Neutral White 4.000K
CRI and colour difference (SDCM)	Medium 75; Min. > 80 upon request Color difference among several devices: Max. 5 step MacAdam
Photobiological compliance	Exempt Group
Insulation class	Class I
Protection rating	Optical unit IP65
Cable harness	Removable, no tools needed
Dimensions	Atlas 200/225: 980x955x82 mm
Weight	Atlas 200/225: 9.5 Kg

ELECTRICAL SPECIFICATIONS

Rated voltage	120-270 V 50/60 Hz
LED current	700 mA
Power factor	> 0,9 (full load)
Control technology	Standard power supplies with 1-10V dimming line or DALI upon request
Connection	Neoprene cable 1 m
Operating temperature	-20°C +40°C
LED life expectancy* (T_a max 50°C)	700 mA L90 B10 > 100,000 hr
PSU life expectancy* (T_a max 50°C)	700 mA 65,000 hr*

MATERIALS

Mounting	Galvanized steel brackets
Heatsink	Painted aluminum
Frame	Painted aluminum; RAL 9006 coating
Optic	PMMA high temperature resistant and UV resistant
Screen	Flat PMMA 4 mm thickness

INPUT POWER AND FLUX*

(T_{amb}=25°C, T_j=85°C, T_c=4000K)

5	Atlas 200	40/60	287 W	34,549 lm
6	Atlas 225	40/60	328 W	39,485lm

* Values shown represent effective output flux.
These values may differ from the LEDs nominal flux.

CODING

product code	LED colour	LED type	optic type	finishing options	model code
ATU	1	N	40	12 0 (N.a.)	5
	2	C	60	D (Dali)	6
	8				

*max 10% failure rate at T_a max

*Values represent an estimation of life expectancy and are not to be considered as warranty statement or technical specification.

Product specifications may vary at any time and will be confirmed at time of order.

Values shown are calculated with +/- 5% tolerance.